



Oras Nova

Installation and maintenance guide





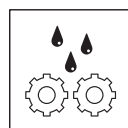
4-8



9-13



14-16



17-22



23



Accepterad
monteringsanvisning
2021-1



1664 KIWA Sverige 1913

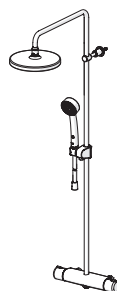
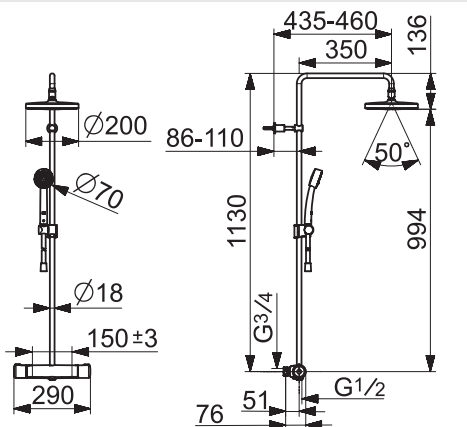


SV: Om blandaren är monterad så att handduschen når vattenspegeln på WC/bidé ska utloppet på blandaren kompletteras med en extra backventil Oras 105311. Detta för att uppfylla kraven gällande återströmning enligt SäVa § 5:3



7401

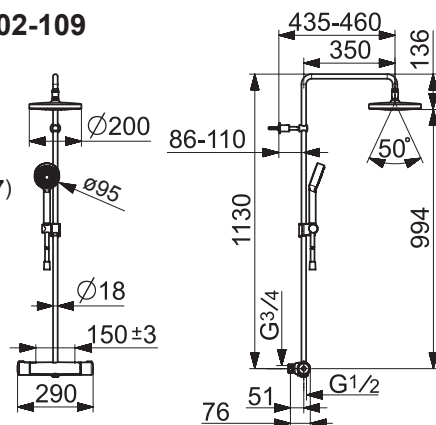
I (ISO 3822)
 EN 1111, EN 1112, EN 1113
 100 - 1000 kPa
 0.25 / 0.26 l/s (300 kPa)
 180 kPa (0.2 l/s)
 max. +65°C



mpi.oras.com/7401

7402 , 7402-33, 7402-107, 7402-109

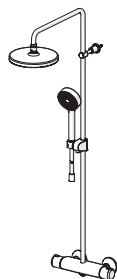
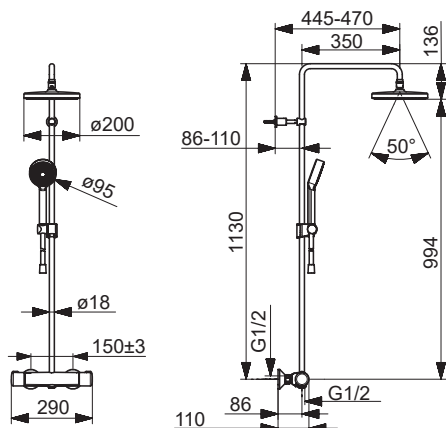
I (ISO 3822)
 EN 1111, EN 1112, EN 1113
 100 - 1000 kPa
 0.3 / 0.26 l/s (300 kPa)
 0.133 l/s (300 kPa w/Controller)(7402-107)
 0.15 l/s (300 kPa w/Controller)(7402-109)
 180 kPa (0.2 l/s)
 max. +65°C



mpi.oras.com/7402

7402U , 7402U-33

I (ISO 3822)
 EN 1111, EN 1112, EN 1113
 100 - 1000 kPa
 0.25 / 0.26 l/s (300 kPa)
 180 kPa (0.2 l/s)
 max. +65°C

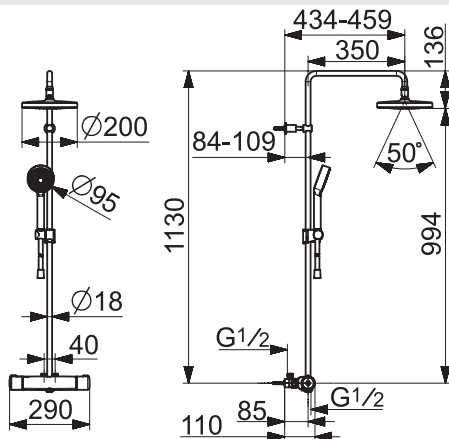


mpi.oras.com/7402U



7419

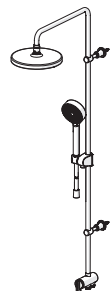
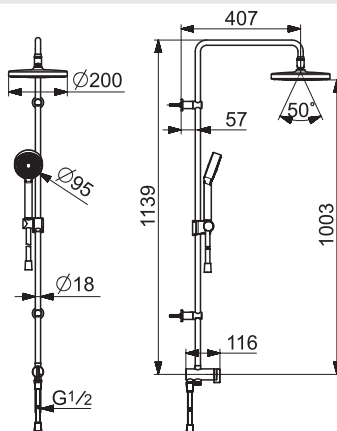
I (ISO 3822)
 EN 1111, EN 1112, EN 1113
 100 - 1000 kPa
 0.25 / 0.26 l/s (300 kPa)
 180 kPa (0.2 l/s)
 max. +65°C



mpi.oras.com/7419

549

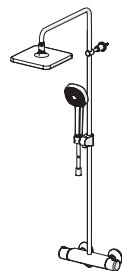
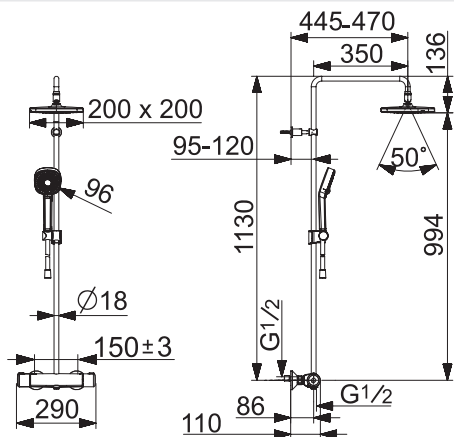
I (ISO 3822)
 EN 1112, EN 1113
 100 - 1000 kPa
 0.25 / 0.26 l/s (300 kPa)
 180 kPa (0.2 l/s)
 max. +65°C



mpi.oras.com/549

7403U

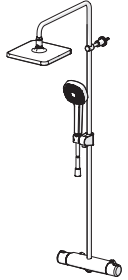
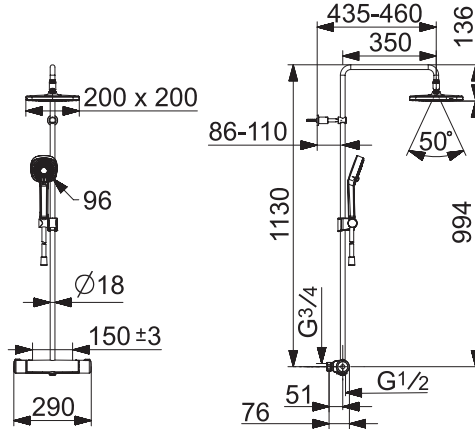
I (ISO 3822)
 EN 1111, EN 1112, EN 1113
 100 - 1000 kPa
 0.3 / 0.26 l/s (300 kPa)
 180 kPa (0.2 l/s)
 max. +65°C



mpi.oras.com/7403U

7403

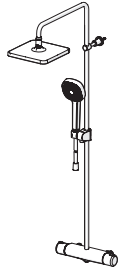
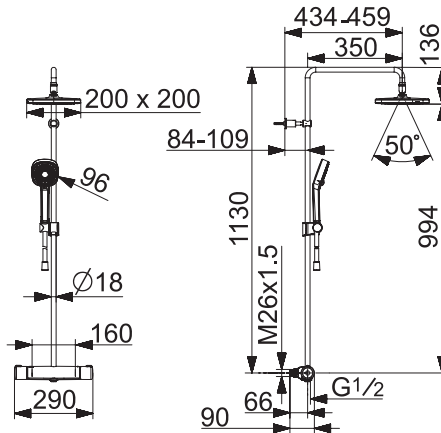
I (ISO 3822)
 EN 1111, EN 1112, EN 1113
 100 - 1000 kPa
 0.3 / 0.26 l/s (300 kPa)
 180 kPa (0.2 l/s)
 max. +65°C



mpi.oras.com/7403

7405

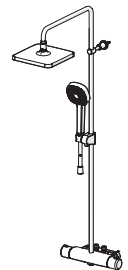
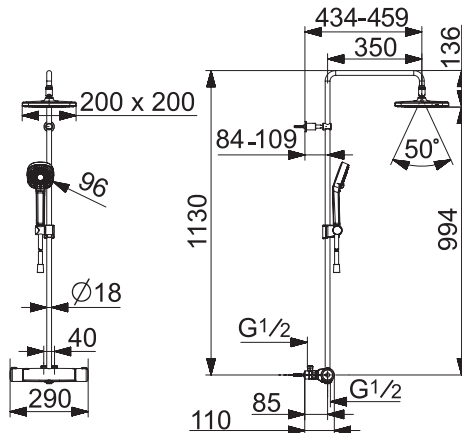
I (ISO 3822)
 EN 1111, EN 1112, EN 1113
 100 - 1000 kPa
 0.25 / 0.26 l/s (300 kPa)
 180 kPa (0.2 l/s)
 max. +65°C



mpi.oras.com/7405

7415

I (ISO 3822)
 EN 1111, EN 1112, EN 1113
 100 - 1000 kPa
 0.25 / 0.26 l/s (300 kPa)
 180 kPa (0.2 l/s)
 max. +65°C

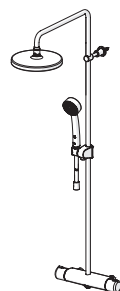
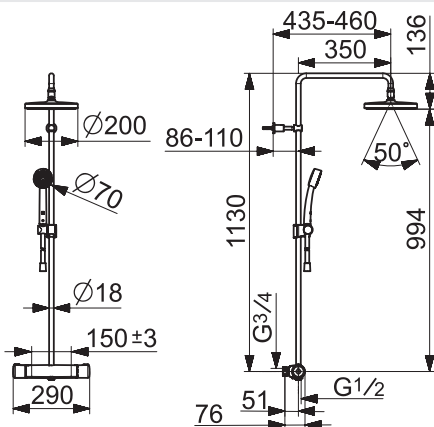


mpi.oras.com/7415



7401G

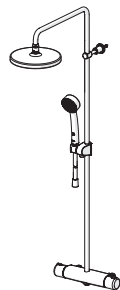
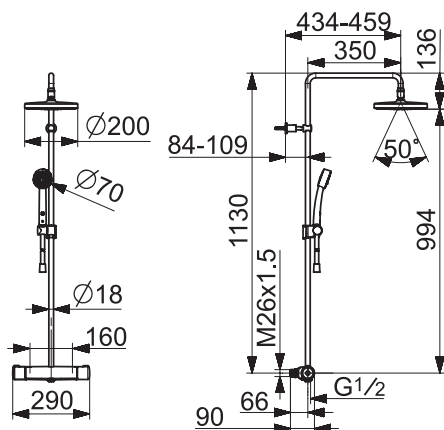
I (ISO 3822)
 EN 1111, EN 1112, EN 1113
 100 - 1000 kPa
 0.10 l/s (Eco)
 0.2 l/s (300 kPa)
 max. +65°C



mpi.oras.com/7401G

7408G

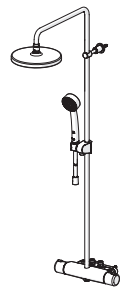
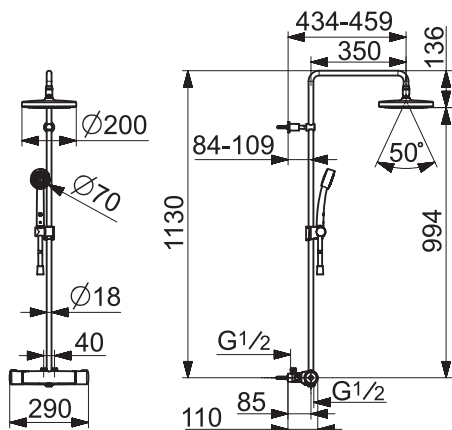
I (ISO 3822)
 EN 1111, EN 1112, EN 1113
 100 - 1000 kPa
 0.10 l/s (Eco)
 0.2 l/s (300 kPa)
 max. +65°C



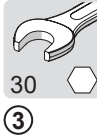
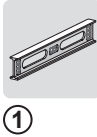
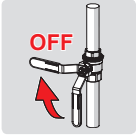
mpi.oras.com/7408G

7418G

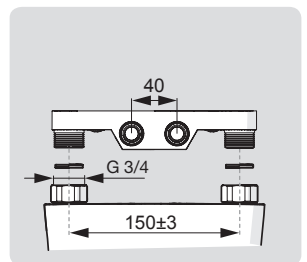
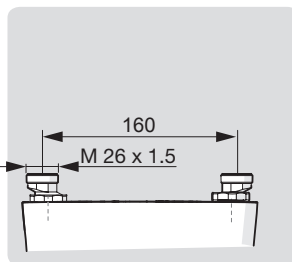
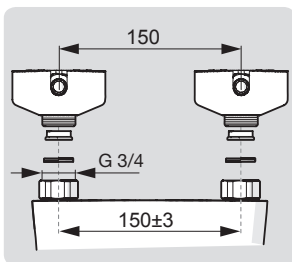
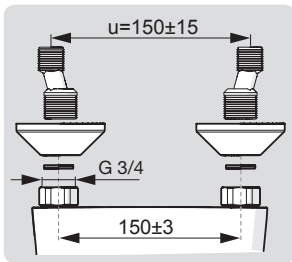
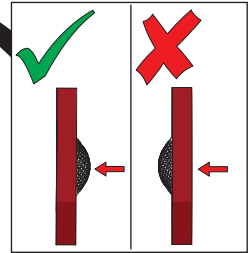
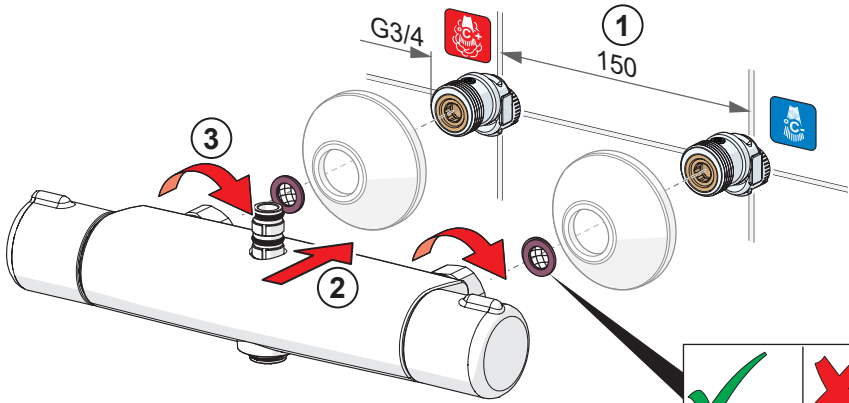
I (ISO 3822)
 EN 1111, EN 1112, EN 1113
 100 - 1000 kPa
 0.10 l/s (Eco)
 0.2 l/s (300 kPa)
 max. +65°C

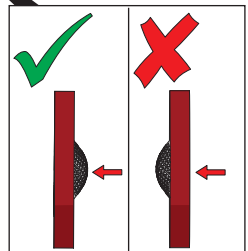
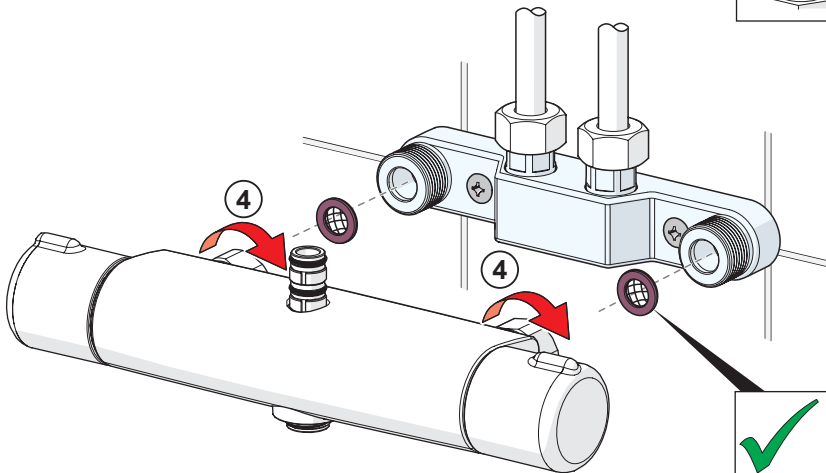
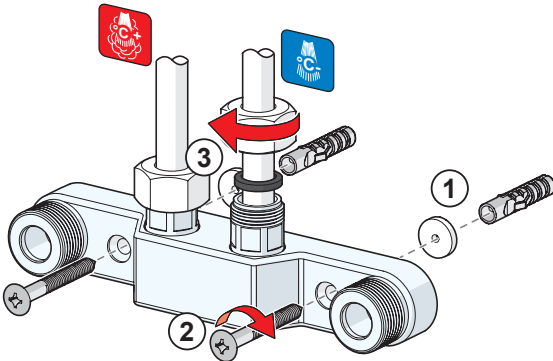
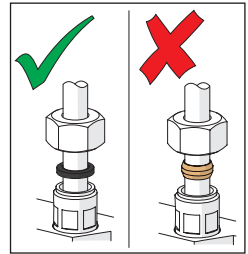
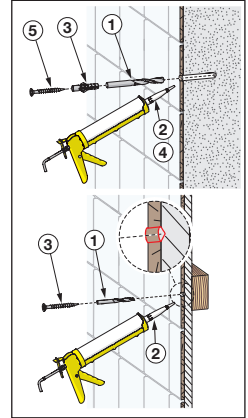
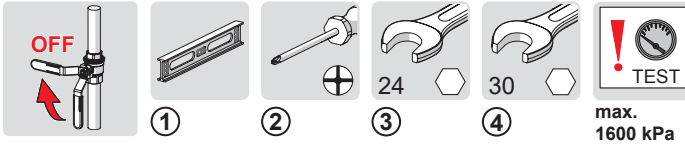


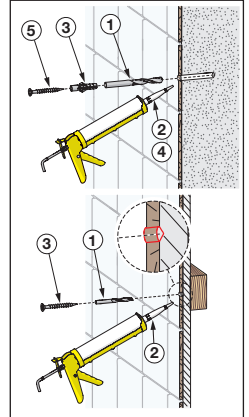
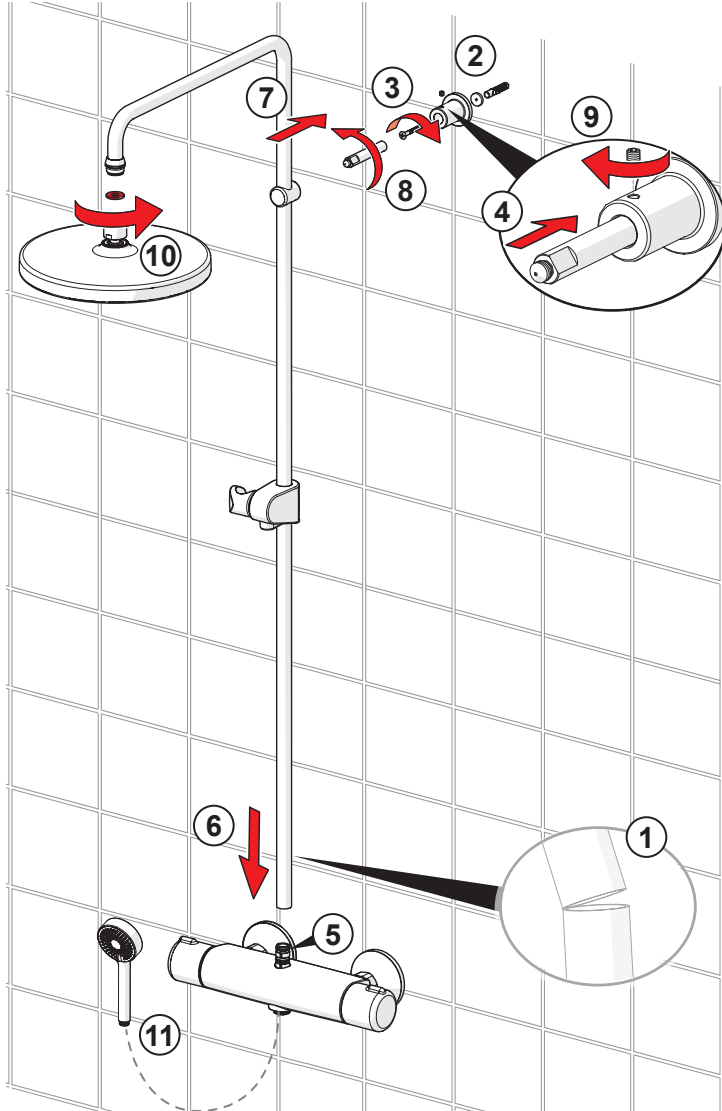
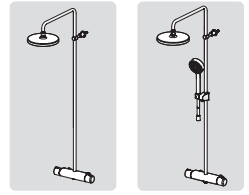
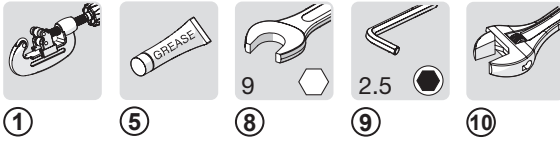
mpi.oras.com/7418G

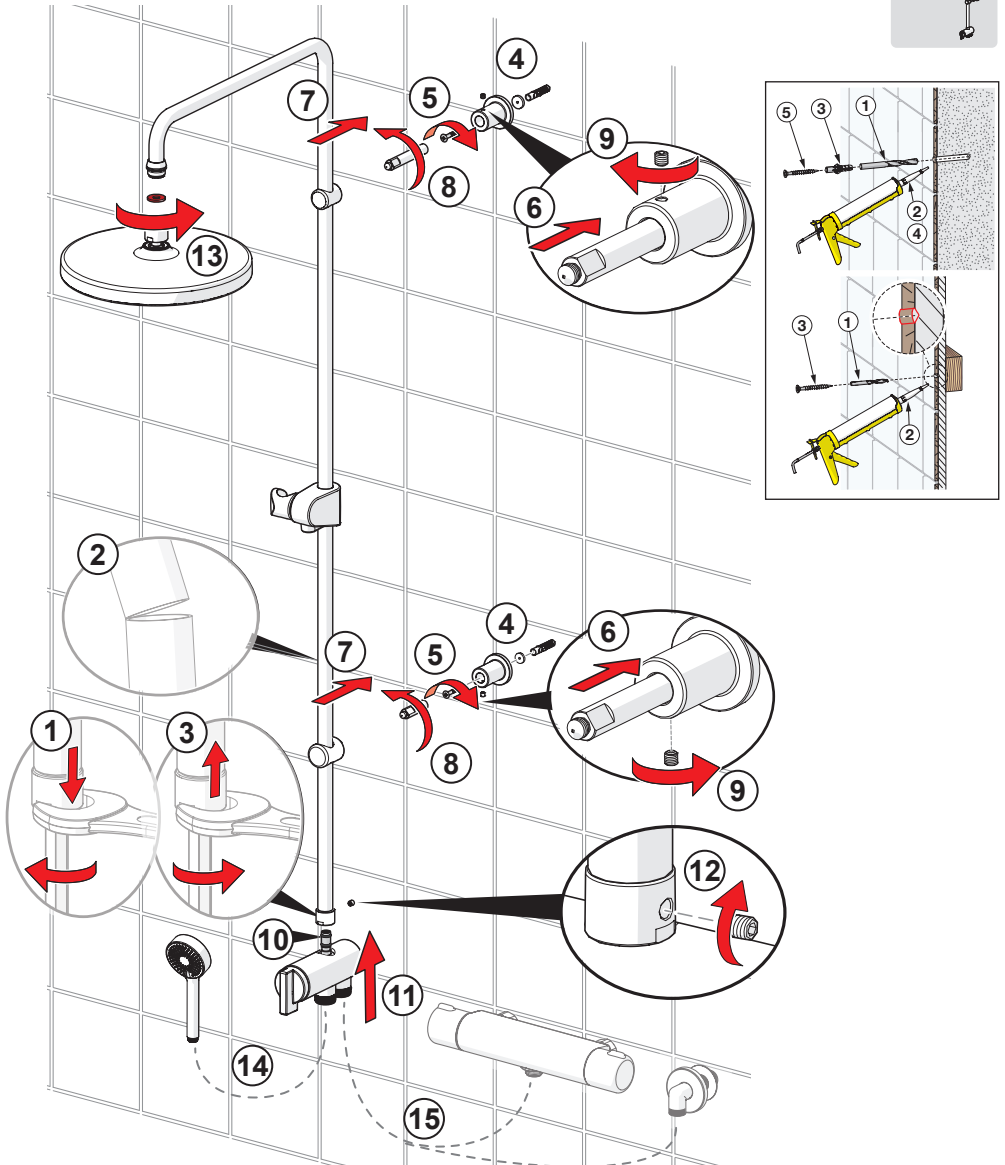
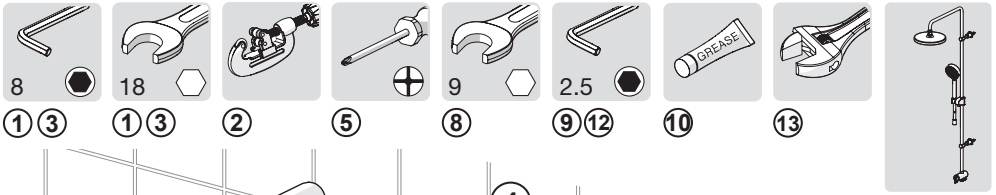


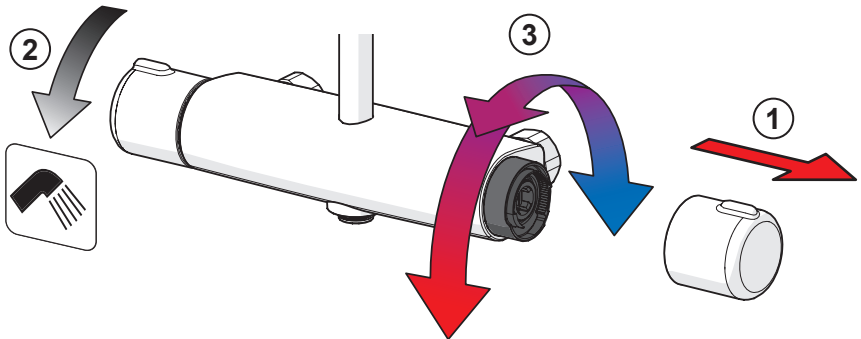
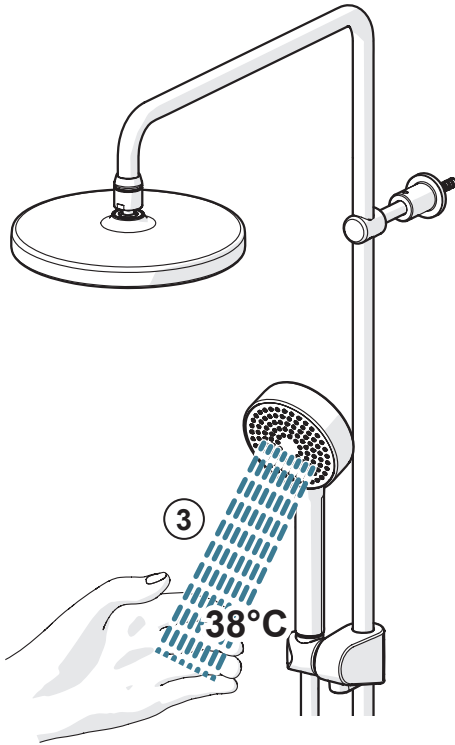
max.
1600 kPa

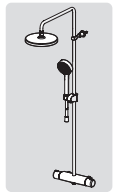
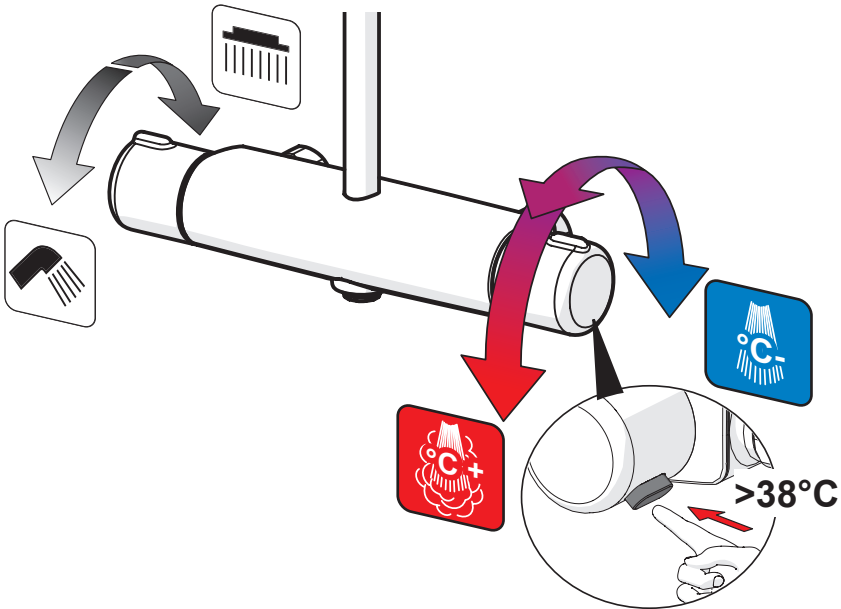
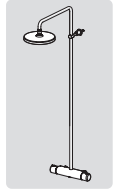
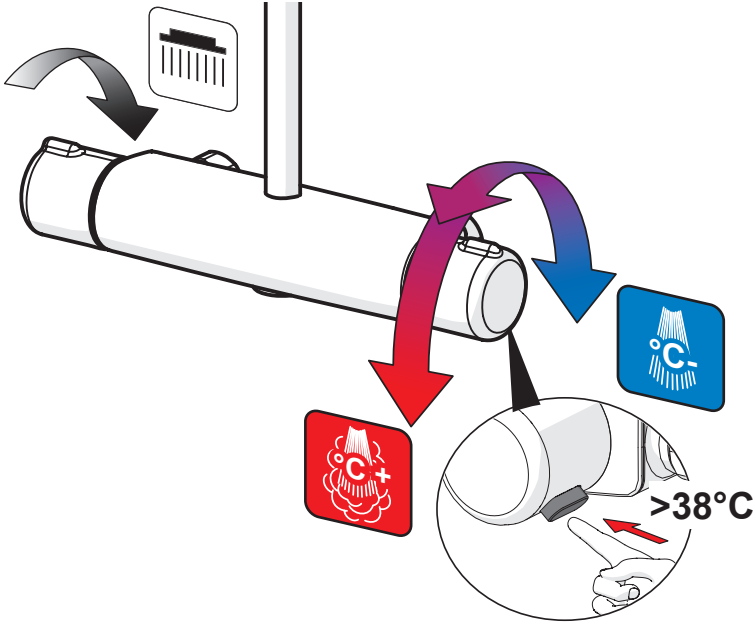


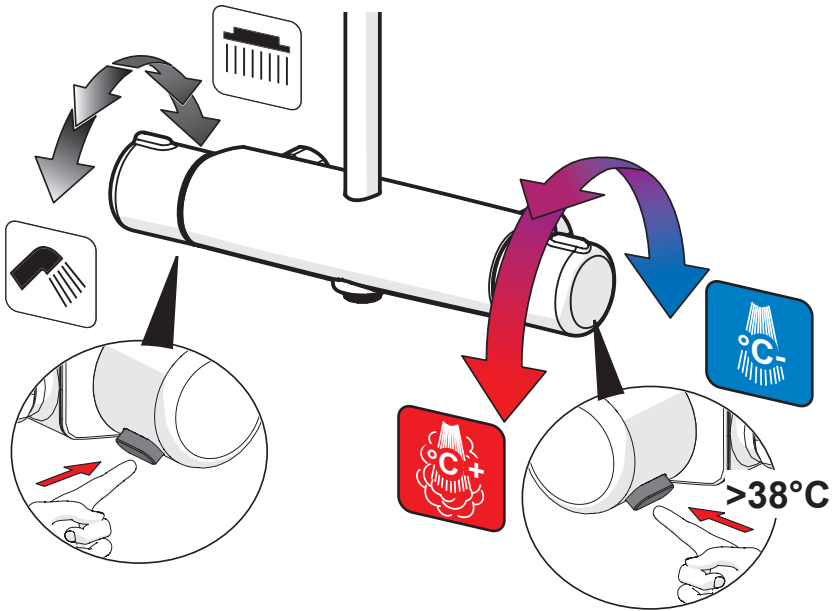
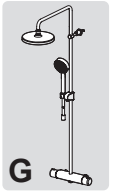


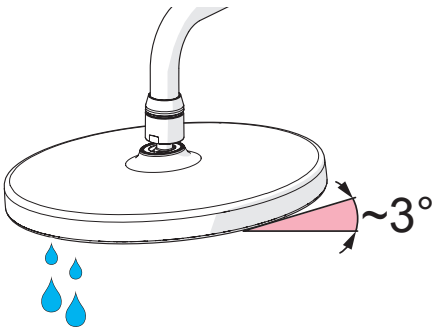
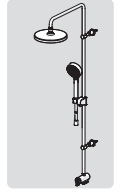
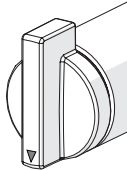
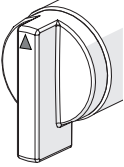
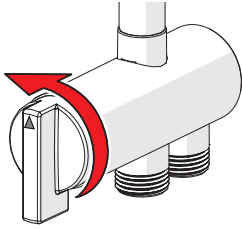


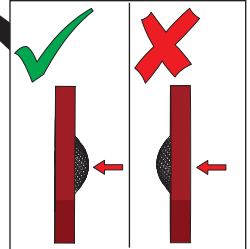
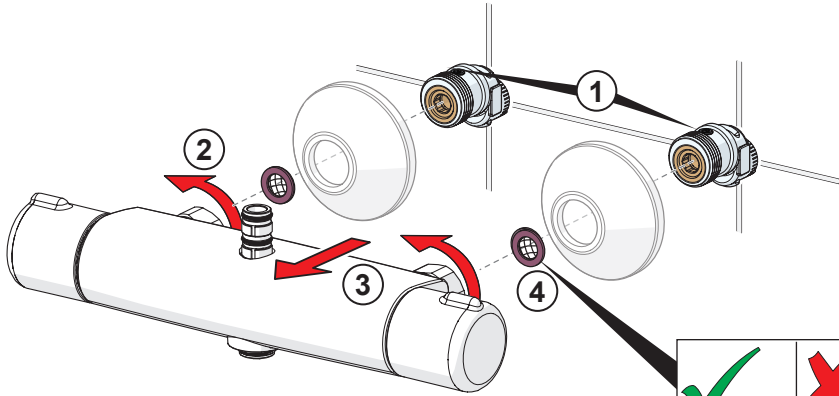
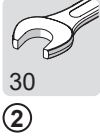
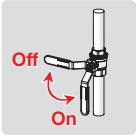
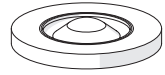


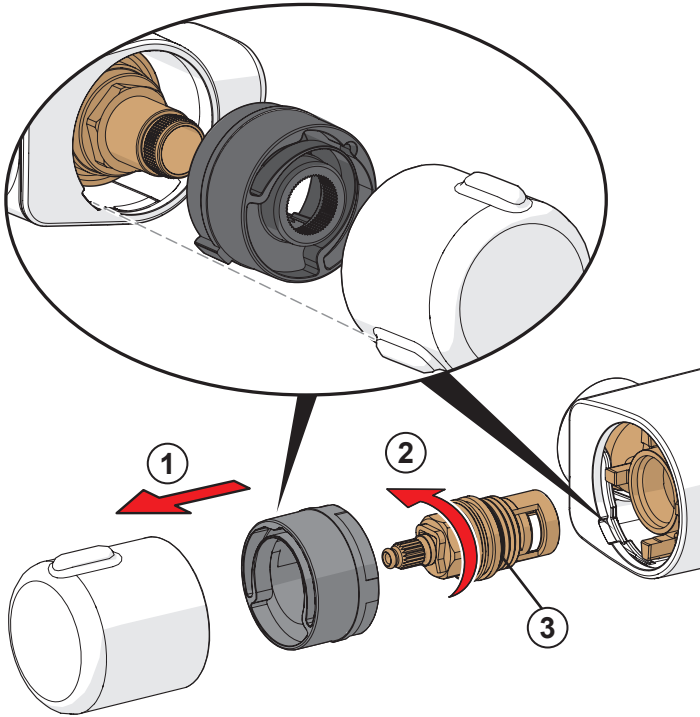
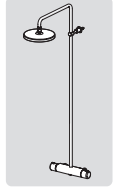
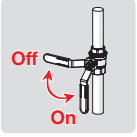


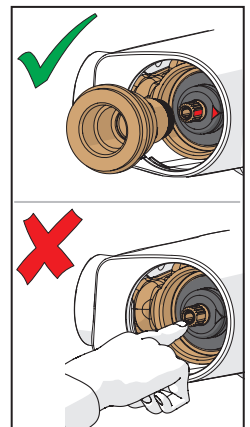
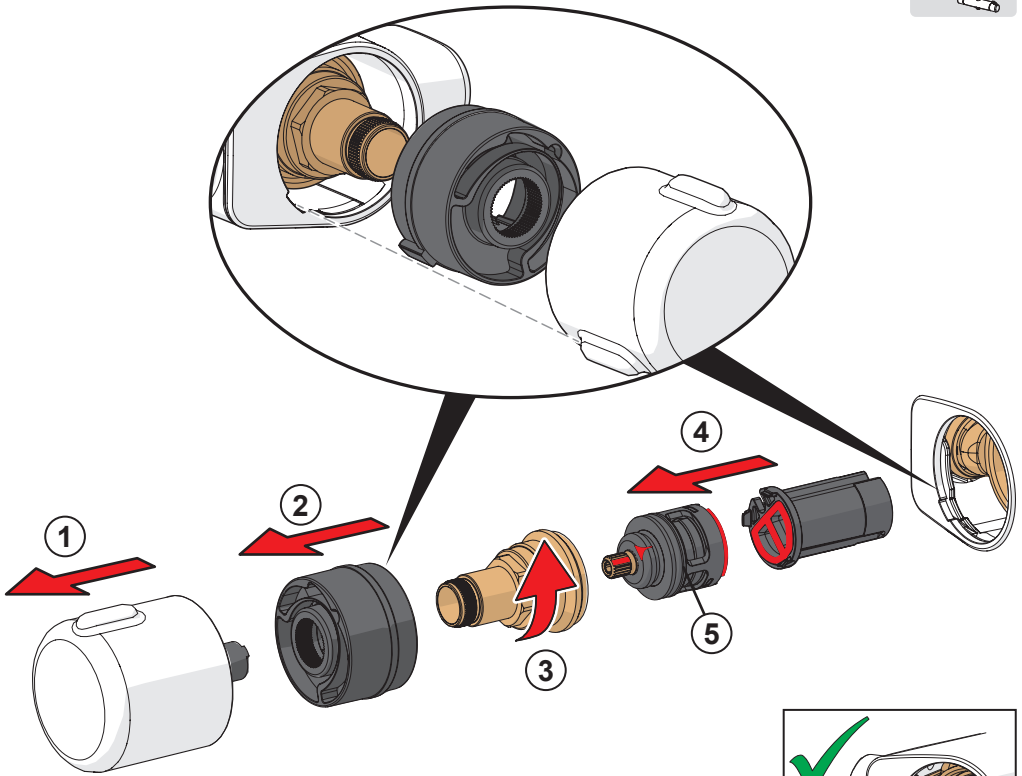
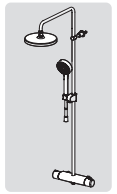
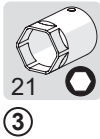
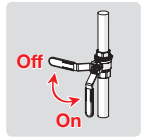
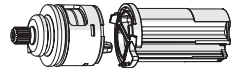


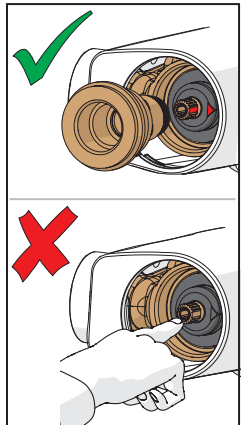
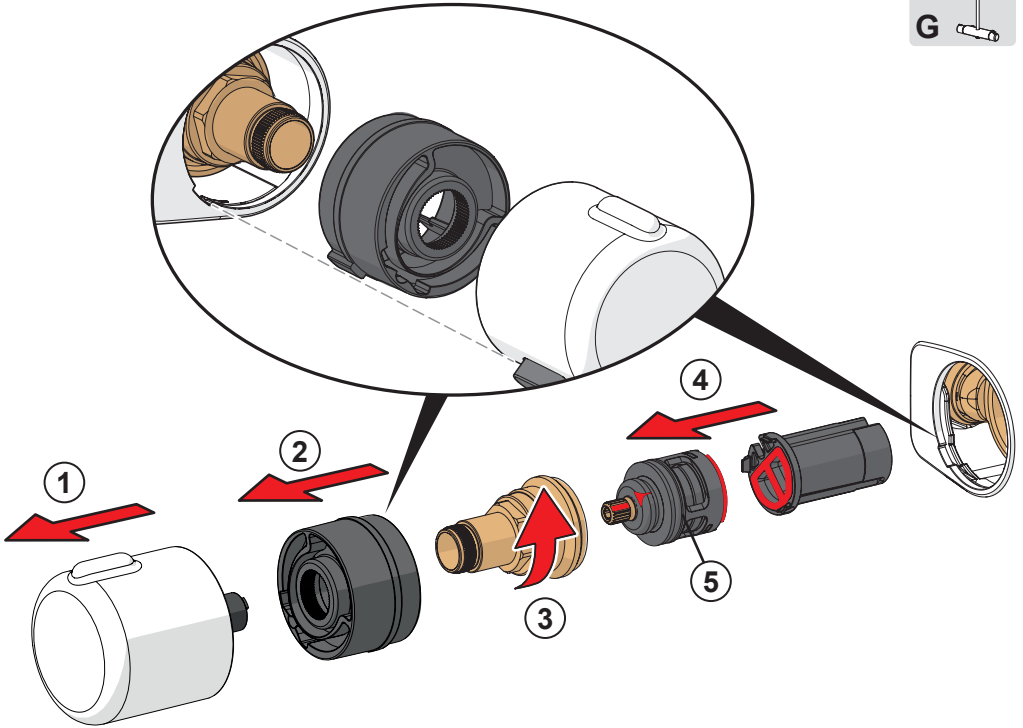
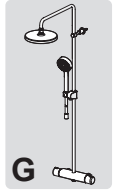
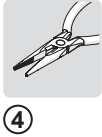
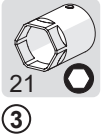
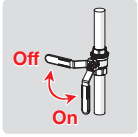
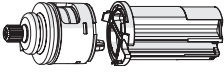


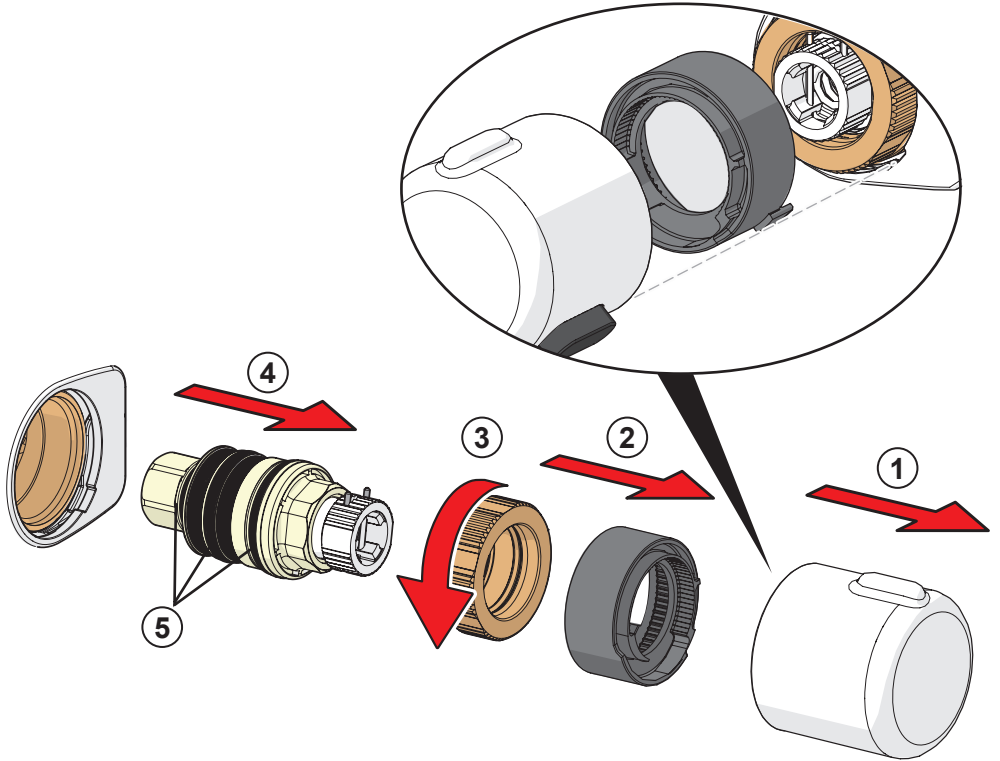
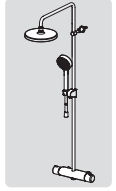
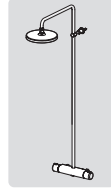
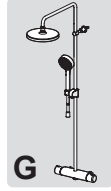
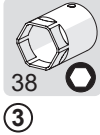
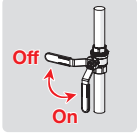


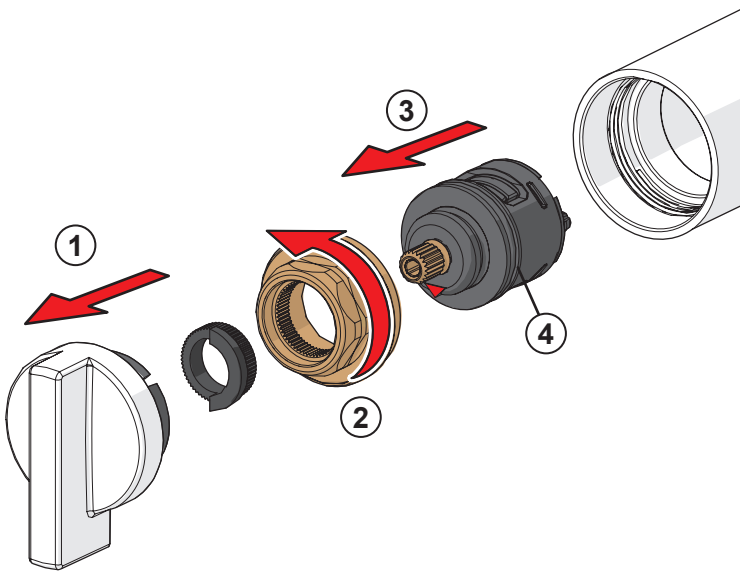
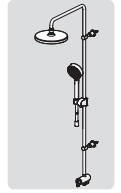
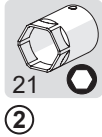
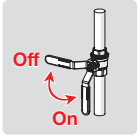


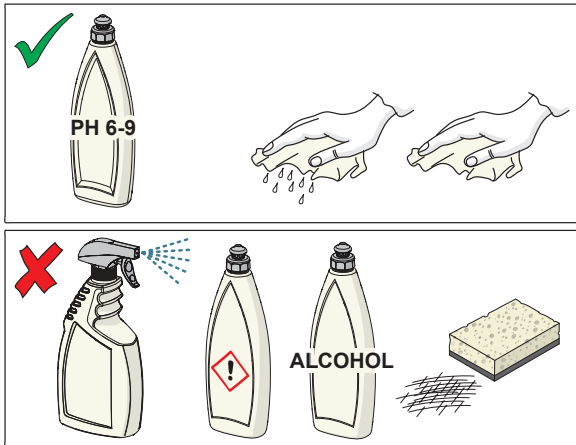
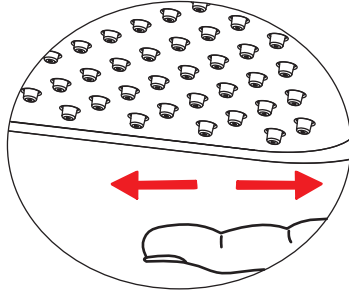












CLEANING.ORAS.COM

Oras Group is a powerful European provider of sanitary fittings: the market leader in the Nordics and a leading company in Continental Europe. The company's mission is to make the use of water easy and sustainable and its vision is to become the European leader of advanced sanitary fittings. Oras Group has two strong brands: Oras and Hansa.

The Group's head office is located in Rauma, Finland, and the Group has three manufacturing sites: Kralovice (Czech Republic), Olesno (Poland) and Rauma (Finland). Oras Group employs approximately 1,200 people in twenty countries. Oras Group is owned by Oras Invest, a family company and an industrial owner.

ORAS Ltd
Isometsäntie 2, P.O. Box 40
FI-26101 Rauma
Tel. +358 2 83 161
Fax +358 2 831 6300
info.finland@oras.com
www.oras.com



943423-03-22